

Technical data sheet



Product features

Salamander manual 1 heating element adjustable grid 230 V

Model	SAP Code	00003925
--------------	-----------------	----------



- Removable rear wall of the device: Yes
- Width of internal part [mm]: 430
- Depth of internal part [mm]: 310
- Number of grid positions: 5

SAP Code	00003925	Net Weight [kg]	14.00
Net Width [mm]	604	Power electric [kW]	2.200
Net Depth [mm]	369	Loading	230 V / 1N - 50 Hz
Net Height [mm]	378		

Technical data sheet



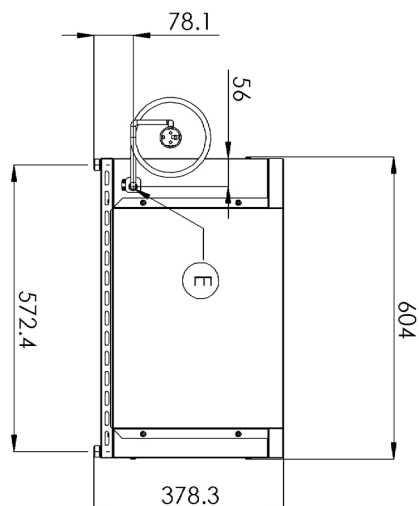
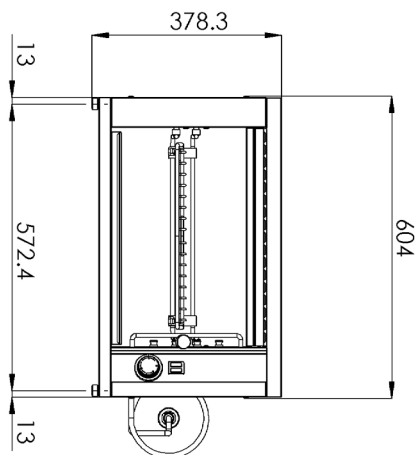
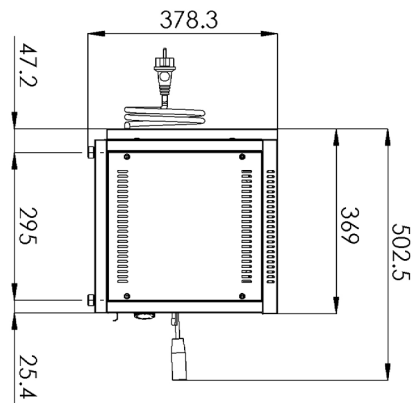
Technical drawing

Salamander manual 1 heating element adjustable grid 230 V

Model

SAP Code

00003925



Technical data sheet



Technical parameters

Salamander manual 1 heating element adjustable grid 230 V

Model

SAP Code

00003925

1. SAP Code:

00003925

2. Net Width [mm]:

604

3. Net Depth [mm]:

369

4. Net Height [mm]:

378

5. Net Weight [kg]:

14.00

6. Gross Width [mm]:

520

7. Gross depth [mm]:

640

8. Gross Height [mm]:

440

9. Gross Weight [kg]:

15.00

10. Device type:

Electric unit

11. Material:

Stainless steel

12. Power electric [kW]:

2.200

13. Loading:

230 V / 1N - 50 Hz

14. Control type:

Mechanical

15. Number of grid positions:

5

16. Protection of controls:

IPX4

17. Number of power control stages:

3

18. Number of internal parts:

5

19. Removable rear wall of the device:

Yes

20. Width of internal part [mm]:

430

21. Depth of internal part [mm]:

310